

产品规格书

Product Specification

产品名
Product TFT-LCD Module

机种名
Model UE116FH-IP40-L001

【接收印栏】

SHENZHEN VIEWE TECHNOLOGY CO., LTD

1. Application

This specification applies to a color TFT-LCD Module, 11.6 inch FHD

2. Overview

This module is a color active matrix LCD module incorporating Oxide TFT (Thin Film Transistor). It is composed of a color TFT-LCD panel, driver ICs, a control circuit and power supply circuit and a backlight unit. Graphics and texts can be displayed on a 1920×3×1080 dots panel with 16,777,216 colors by using eDP (Embedded Display Port) Ver1.2 interface and supplying +3.3V DC supply voltage for TFT-LCD panel driving.

In this TFT-LCD panel, color filters for excellent color performance is incorporated to realize brighter and clearer pictures, making this model optimum for use in multi-media applications.

Optimum viewings are in all directions.

8 serial 5 parallel LED structure.

Backlight-driving LED controller is built in this Module

eDP Transfer rate Specification : eDP1.2 / 2.7Gbps / 2 lane

3. Mechanical specifications.

Parameter	Specification	Unit	Note
Display size	11.58(11.6") (Diagonal)	mm	
Active area	256.32(H) × 144.18(V)	mm	
Pixel Format	1920(H) × 1080(V) (1pixel = R + G + B dot)	pixel	
Pixel pitch	0.1335(H) × 0.1335 (V)	mm	
Pixel configuration	R, G, B vertical stripe		
Display mode	Normally black		
Surface treatment of front polarizer	Anti-glare coating: (3H)		

Outline dimensions

Parameter		Min.	Typ.	Max.	Unit	Remark
Unit outline dimensions	Width	267.7	267.9	281.1	mm	
	Height	167.7	168.2	168.7	mm	
	Depth	2.6	2.8	3.0	mm	w/o PWB.[Note3-2]
Mass			TBD		g	

[Note 3-1] Outline dimensions is shown in Fig.2

[Note 3-2] With shading tape, without warpage and deflection

4. Input Terminals

4-1 Driving interface of PWB

CN1 (eDP signals, +3.3V DC power supply and B/L power supply)

Pin No.	Symbol	I/O	Function	Remark
1	NC	-	Reserved for LCD	[Note4-1-1]
2	H_GND	P	High Speed Ground	
3	Lane1_N	I	Complement Signal Link Lane 1	
4	Lane1_P	I	True Signal Link Lane 1	
5	H_GND	P	High Speed Ground	
6	Lane0_N	I	Complement Signal Link Lane 0	
7	Lane0_P	I	True Signal Link Lane 0	
8	H_GND	P	High Speed Ground	
9	AUX_CH_P	I	True Signal Auxiliary Channel	
10	AUX_CH_N	I	Complement Signal Auxiliary Channel	
11	H_GND	P	High Speed Ground	
12	LCD_VDD	P	LCD logic and driver power(3.3V)	
13	LCD_VDD	P	LCD logic and driver power(3.3V)	
14	NC	I	Reserved for LCD manufacturer's use	[Note4-1-1]
15	LCD_GND	P	LCD logic and driver ground	
16	LCD_GND	P	LCD logic and driver ground	
17	HPD	O	HPD signal pin	[Note4-1-2]
18	BL_GND	P	Backlight ground	
19	BL_GND	P	Backlight ground	
20	BL_GND	P	Backlight ground	
21	BL_GND	P	Backlight ground	
22	BL_ENABLE	I	Backlight ON/OFF	[Note4-1-3]
23	BL_PWM_DIM	I	System PWM	[Note4-1-4]
24	NC	-	Reserved for LCD manufacturer's use	[Note4-1-1]
25	NC	-	Reserved for LCD manufacturer's use	[Note4-1-1]
26	BL_PWR	P	Backlight power	
27	BL_PWR	P	Backlight power	
28	BL_PWR	P	Backlight power	
29	BL_PWR	P	Backlight power	
30	NC	-	Reserved for LCD manufacturer's use	[Note4-1-1]

*1 P: POWER I: Input O: Output

The shielding case is connected with signal GND

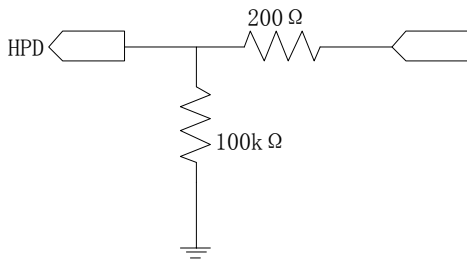
- Connector used :20455-030E-12 (I-PEX)
- Corresponding connector : 20453-030T (I-PEX)

(Panda is not responsible to its product quality, if the user applies a connector not corresponding to the above model.)

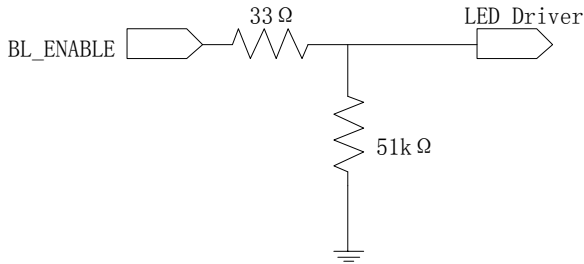
All terminals except NC terminal must be connected to input signal described as above or supply voltage or GND each.

[Note 4-1-1] Do not input any signals or any powers into a NC pin. Keep the NC pin open.

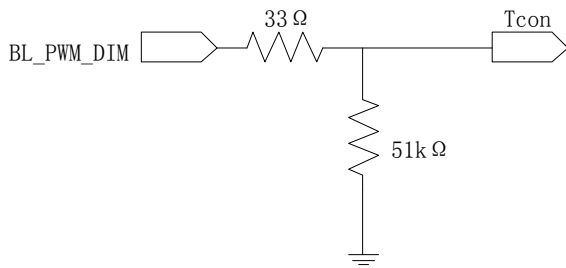
[Note 4-1-2] Output circuit is as below.



[Note 4-1-3] Input circuit is as below.



[Note 4-1-4] Input circuit is as below.



SHENZHEN VIEWE TECHNOLOGY CO., LTD

4-2eDP interface

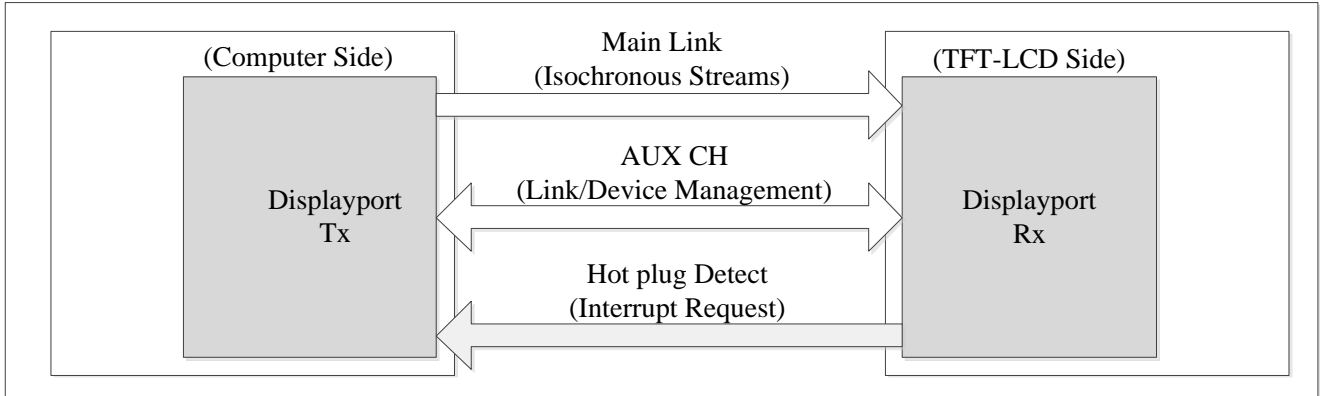


Fig.4-2-1 DP architecture

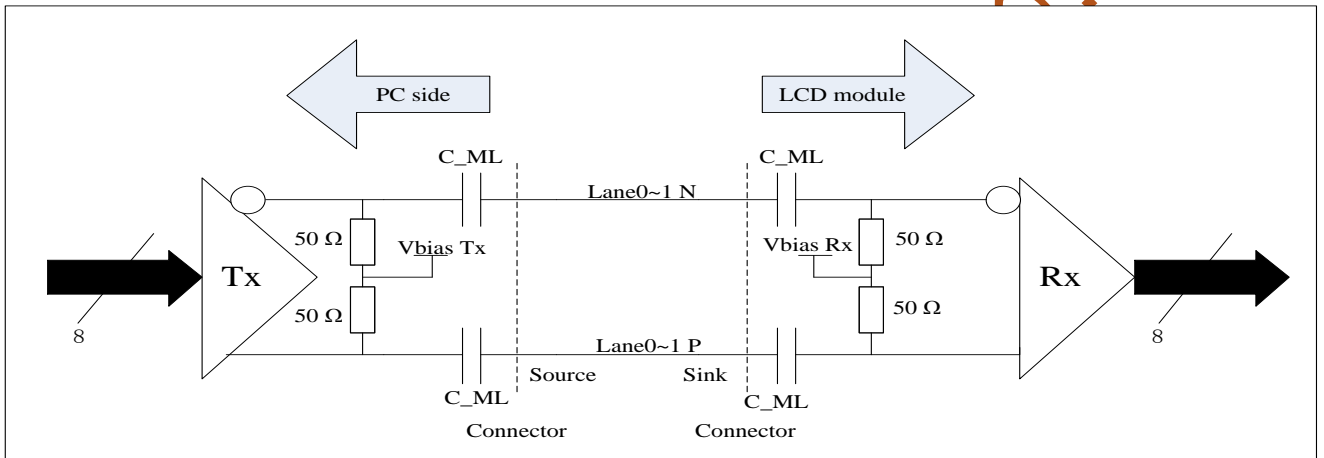


Fig.4-2-2 Main Link differential pair

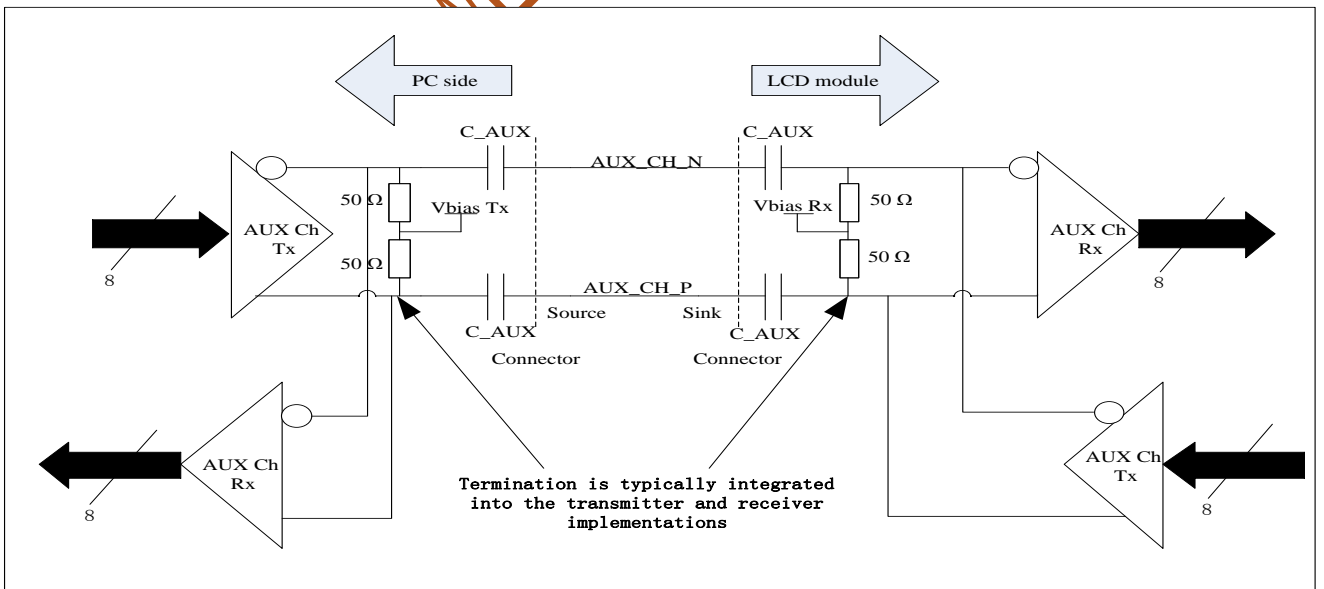


Fig.4-2-3 AUX Link differential pair

Lane0	Lane1
R0-7:0	R1-7:0
G0-7:0	G1-7:0
B0-7:0	B1-7:0
R2-7:0	R3-7:0
G2-7:0	G3-7:0
B2-7:0	B3-7:0
R4-7:0	R5-7:0
G4-7:0	G5-7:0
B4-7:0	B5-7:0

Fig.4-2-4 eDP 2lane 8bit input data mapping

5. Absolute Maximum Ratings

Parameter	Symbol	Condition	Ratings		Unit	Remark
			Min.	Max.		
+3.3V supply voltage	VDD	Ta=25°C	-0.3	+4.0	V	
Backlight supply voltage	V _{BL}	Ta=25°C	-0.3	+26.5	V	
Input voltage(eDP)	VI	Ta=25°C	-0.3	+1.5	V	[Note 5-1]
Input voltage(BL)	V _{BL}	Ta=25°C	-0.3	VDD+0.3	V	[Note 5-2]
Storage temperature(ambient)	T _{stg}	-	-20	+70	°C	[Note 5-3]
Operation temperature(ambient)	T _{opa}	-	-10	+60	°C	

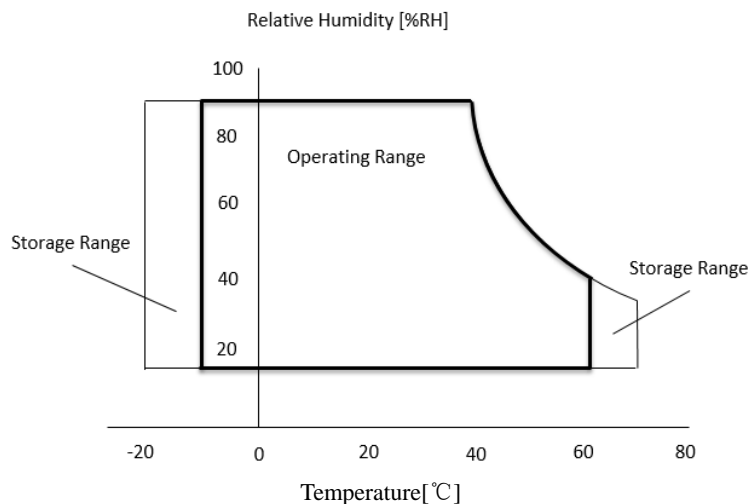
[Note 5-1] eDP signals

[Note 5-2] Backlight control signals (BL_ENABLE, BL_PWM_DIM)

[Note 5-3] Humidity: 90% RH Max. at Ta ≤ +40°C.

Maximum wet-bulb temperature at +39°C or less at Ta > +40°C,

No condensation.

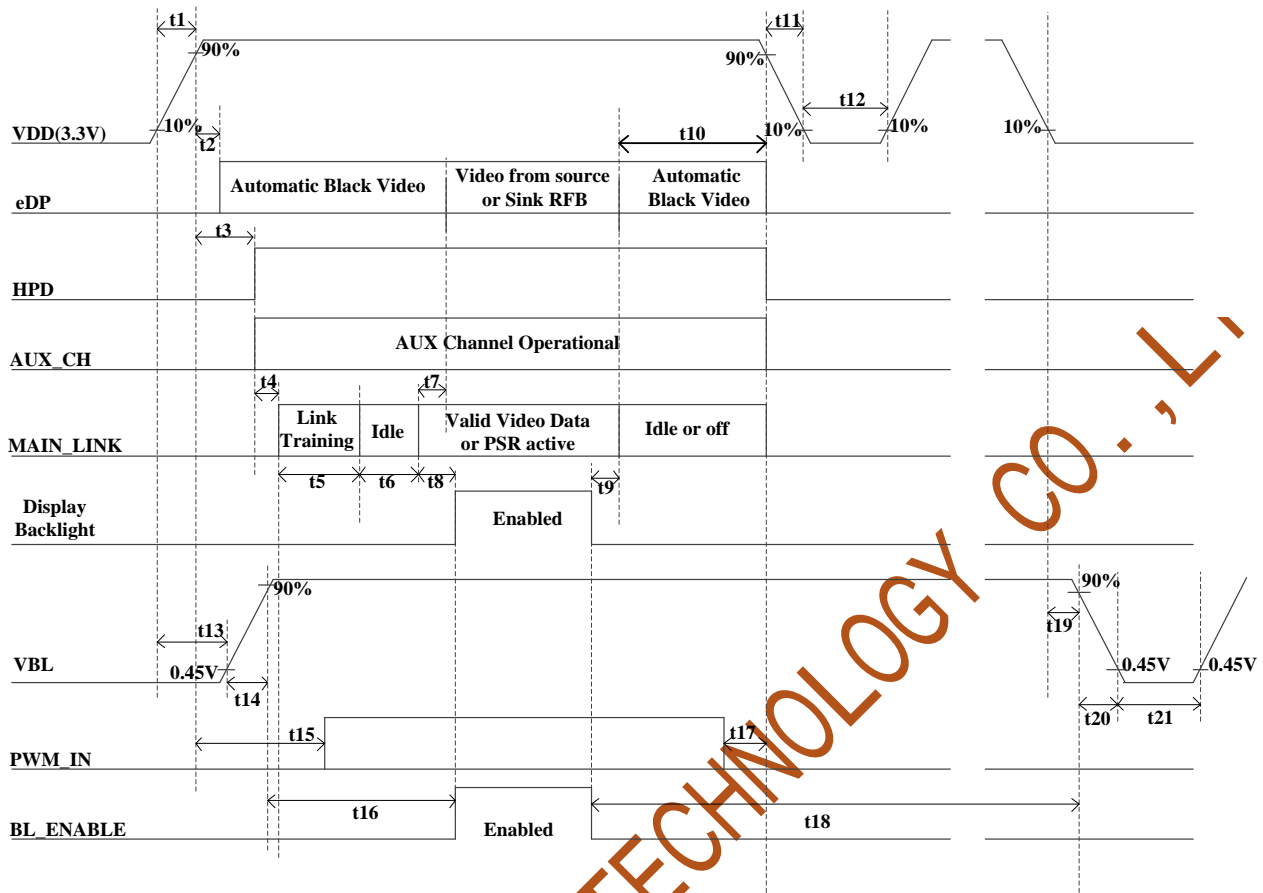


6. Electrical Characteristics
6-1. TFT-LCD panel driving

Ta=+25°C

DC Electrical Characteristics						
Parameter	Symbol	Min.	Typ.	Max.	Unit	Remark
+3.3V supply voltage	VDD	+3.0	+3.3	+3.6	V	[Note 6-1-1]
Current dissipation	IDD	-	(212)	(364)	mA	[Note 6-1-2]
Inrush Current	Irush	-	-	TBD	A	[Note 6-1-3]
Permissible input ripple voltage	V _{RP}	-	-	100	mVp-p	VDD=+3.3V
eDP HPD Signal Characteristics						
Parameter	Symbol	Min.	Typ.	Max.	Unit	Remark
HPD High level output voltage	VOH _{HPD}		VDD-0.1	-		
HPD Low level output voltage	VOL _{HPD}	-	0			
eDP AUX Channel Characteristics						
Parameter	Symbol	Min.	Typ.	Max.	Unit	Remark
Unit Interval for AUX channel	UI _{AUX}	0.4	0.5	0.6	μS	
Peak-to-peak voltage at TP1	V _{AUX-DIFF-pp}	0.32	-	1.36	V	
AUX DC Common mode Voltage	V _{AUX-DC-CM}	0	-	2.0	V	
AUX Short current limit	I _{AUX_SHORT}	-	-	90	mA	
AUX CH terminationDCresistor	R _{AUX_TERM}	-	100	-	Ω	Differential input
AUX AC coupling capacitor	C _{AUX}	75	-	200	nF	
Number of pre-charge pulses	Pre-charge pulses	10	-	16	-	
eDP Main Link Receiver Characteristics						
Parameter	Symbol	Min.	Typ.	Max.	Unit	Remark
Link clock down spreading	Down_Spread_Amplitude	0		0.5	%	
Differential Peak-to-peak Input Voltage at Rx package pins	V _{RX-DIFF-pp}	120	-	1200	mV	
Differential Return Loss at 1.35GHz at Rx package pins	RL _{RX-DIFF}	9	-	-	dB	
Differential termination resistance	R _{RX-TERM}	-	100	-	Ω	
RX short circuit Current Limit	I _{RX-SHORT}	-	-	50	mA	
Lane Intra-pair Skew at RX package pins	T _{RX-SKEW-INTRA-PAIR-High-Bit-Rate}	-	-	TBD	ps	

[Note 6-1-1] ON-OFF conditions for supply voltage



[Note] Do not keep the interface signal high-impedance or unusual signal when power is on.

Symbol	Min	Max	Unit	Note
t1	(0.5)	(10)	ms	
t2	0	100	ms	
t3	0	(100)	ms	
(t4)	-	-	ms	
(t5)	-	-	ms	
(t6)	-	-	ms	
(t7)	(0)	(50)	ms	
(t8)			ms	
(t9)			ms	
(t10)	(0)	(500)	ms	
t11	(1)	50	ms	[Note1]
t12	500	-	ms	
(t13)	-	-	ms	
t14	0.5	10	ms	
t15	(100)		ms	
(t16)	-	-	ms	
t17	0	-	ms	
(t18)	-	-	ms	
t19	-	-	ms	
t20	(0.1)	-	ms	
t21	(100)		ms	

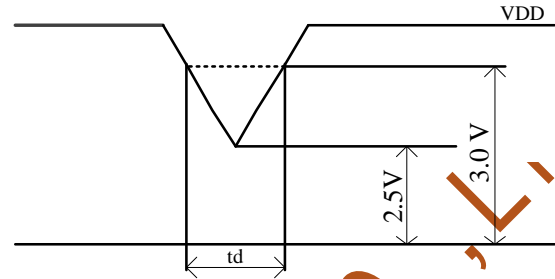
[Note 1] As for the power off sequence for VDD (t11), be sure to keep above mentioned timing.
 If the VDD power off sequence timing is other than shown above, LCD may cause permanent damage.
 *1 : As for the power sequence for backlight, it is recommended to apply above mentioned input timing.
 If the backlight is light on and off at a timing other than shown above, displaying image maybe get disturbed.

VDD-dip-conditions

- 1) $2.5\text{ V} \leq \text{VDD} < 3.0\text{ V}$
 $t_d \leq 10\text{ ms}$

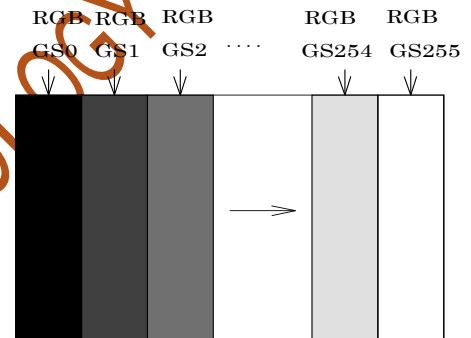
Under above condition, the display image should return to an appropriate figure after VDD voltage recovers.

- 2) $\text{VDD} < 2.5\text{ V}$
 VDD-dip conditions should also follow the ON-OFF conditions for supply voltage.

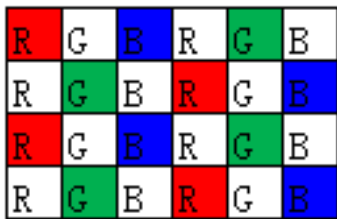


[Note 6-1-2]

Typical current condition: 16-gray-bar pattern.
 $\text{VDD} = +3.3\text{ V}$



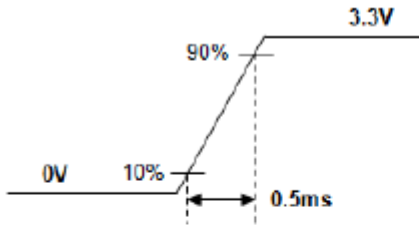
Maximum current condition: Vertical stripe pattern.
 $\text{VDD} = +3.3\text{ V}$



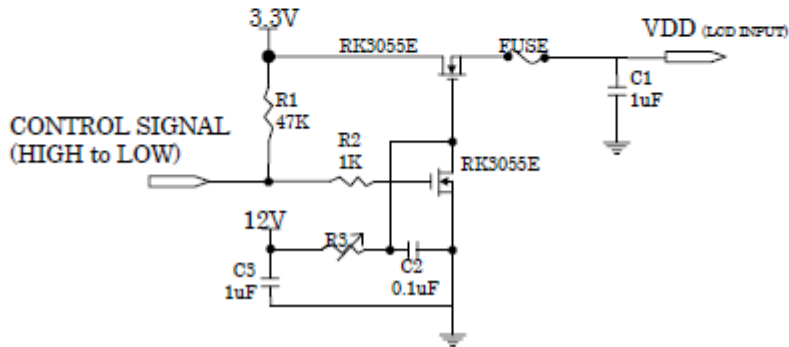
SHENZHEN

[Note 6-1-3]

·Rising time VDD :



·measurement condition :



6-2.Backlight driving

The backlight system is an edge-lighting type with white LED.

 (It is usually required to measure under the following condition: $T_a=25^{\circ}\text{C}\pm 2^{\circ}\text{C}$)

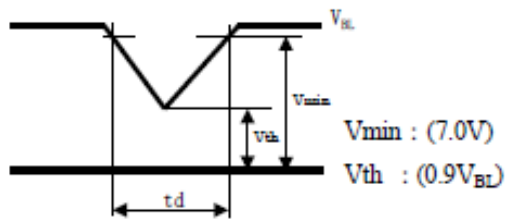
Parameter	Symbol	Min.	Typ.	Max.	Unit	Remark
Supply voltage	V_{BL}	7.0	12.0	21.0	V	BL_PWR
Current dissipation	I_{BL}	-	(227)	(251)	mA	$V_{BL}=12\text{V}$ Duty Ratio=100%
		-	(135)	(135)	mA	$V_{BL}=7.8\text{V}$ Duty Ratio=40% Frequency=200Hz
Inrush Current	$I_{rush_{BL}}$	-	-	TBD	A	[Note 6-2-4]
Modulated light signal voltage	V_{PWMH}	1.85	-	VDD	V	BL_PWM_DIM
	V_{PWL}	0	-	0.7	V	
Brightness Control Duty Ratio	Duty	1	-	100	%	[Note 6-2-1]
Brightness Control pulse width	T_{PWM}	5	-	-	μs	[Note 6-2-2]
Brightness Control frequency	f_{PWM}	200	-	2,000	Hz	
LED-BL ON/OFF High voltage	V_{CNTH}	1.8	3.3	3.6	V	[Note 6-2-3]
LED-BL ON/OFF low voltage	V_{CNTL}	0	-	0.5	V	[Note 6-2-3]
Input signal pin current	I_{IN}	-	$V_{IN}/51\text{k}\Omega$	-	μA	BL_ENABLE BL_PWM_DIM
LED lifetime	-	-	10,000	-	h	LED

 [Note6-2-1] V_{PWM} Input:100%=Max luminance 1%=Min luminance

[Note6-2-2] The minimum value of the dimming signal pulse width is assumed regulations of the width of high and the width of low

[Note6-2-3]BL_ENABLE : High = BL turn on ,low or open =BL turn off

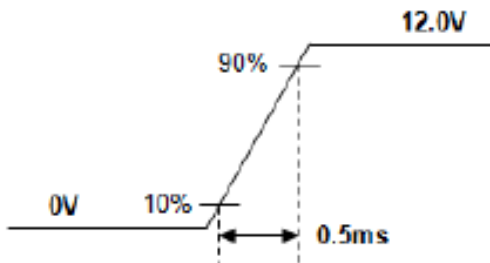
V_{BL} -dip conditions



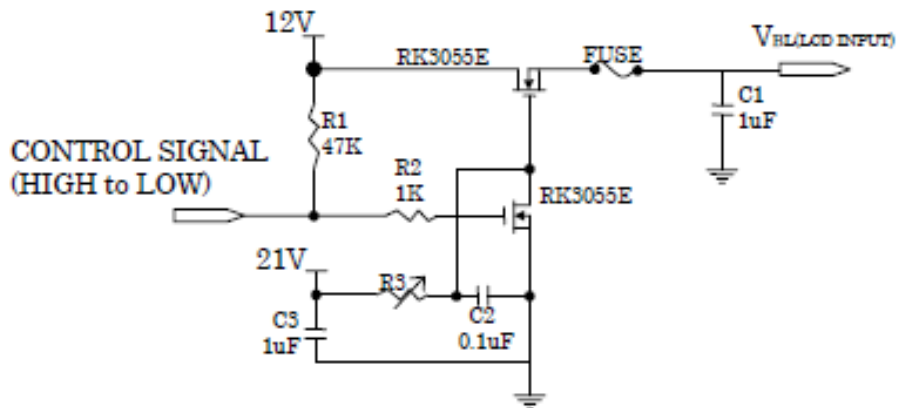
- 1) $V_{th} \leq V_{BL} < V_{min} : t_d \leq 20ms$
- 2) $V_{BL} < V_{th}$: The condition of instantaneous voltage drop is apply to input voltage sequences

[Note6-2-4]

Rising time V_{BL} :



·Measurement condition :



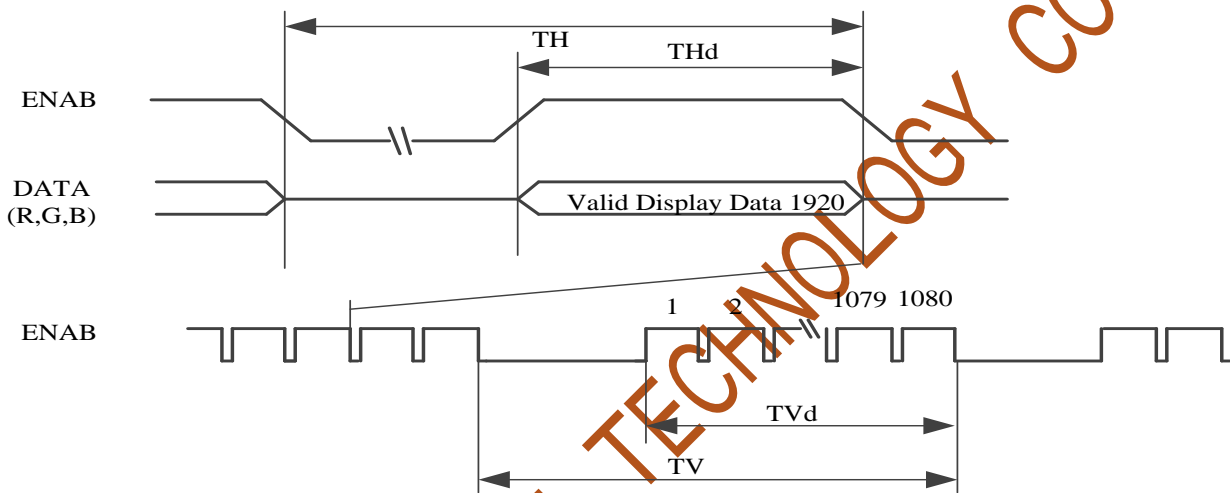
7. Timing characteristics of input signals

7-1. Timing Characteristics

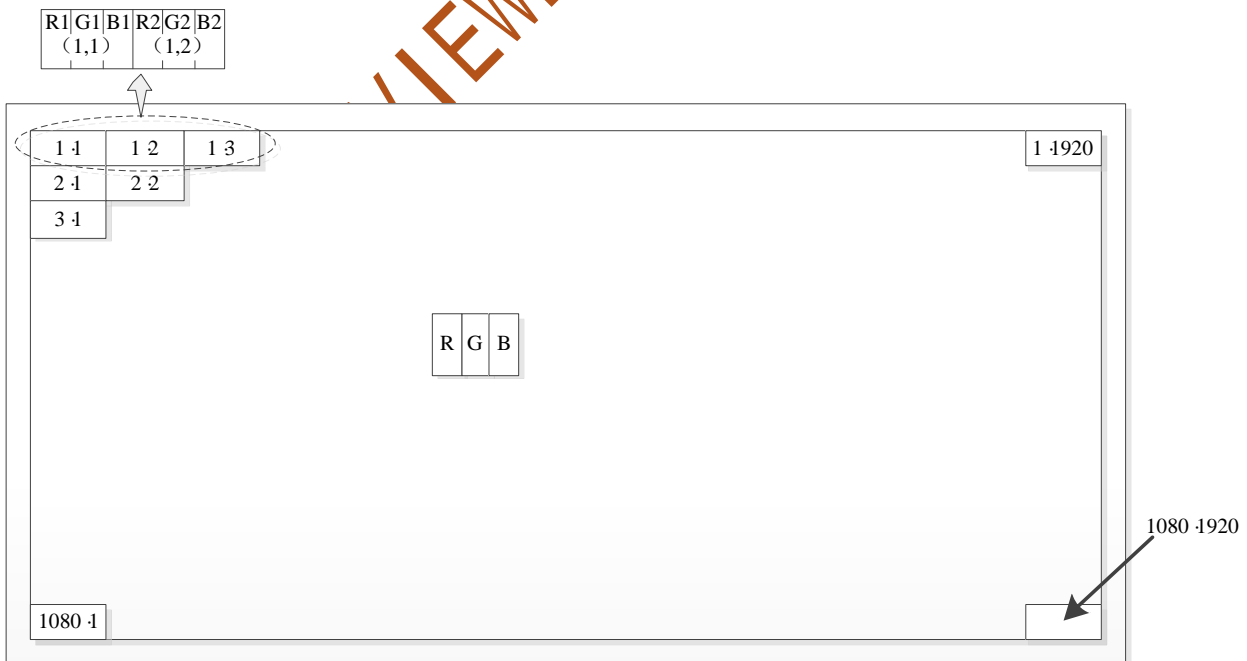
VDD=+3.0V~+3.6, Ta=-10°C~+60°C

Parameter	Symbol	Min.	Typ.	Max.	Unit	Remark	
Clock	Frequency	1/Tc	-	138.5	-	MHz	[Note7-1-1]
Data enable signal	Horizontal period	TH	-	2080	-	clock	
				15.02		μs	
	Horizontal period (High)	THd	-	1920	-	clock	
	Vertical period	TV	-	1111	-	line	
			16.685		ms		
Vertical period (High)	TVd	-	1080	-	line		

[Note 7-1-1] In case of using the long vertical period, the deterioration of display quality, flicker, etc, may occur.



7-2. Input data signals and display position on the screen



Display position of input data(V H)

8. Input signal, basic display colors and gray scale of each color

Colors & Gray Scale	Gray Scale	Data signal																													
		R0	R1	R2	R3	R4	R5	R6	R7	G0	G1	G2	G3	G4	G5	G6	G7	B0	B1	B2	B3	B4	B5	B6	B7						
		LSB								MSB								LSB								MSB					
Basic Color	Black	–	0	0	0	0	0	0	0	0	0	0	0	0	0	0	0	0	0	0	0	0	0	0	0	0	0	0	0		
	Blue	–	0	0	0	0	0	0	0	0	0	0	0	0	0	0	0	0	1	1	1	1	1	1	1	1	1	1	1		
	Green	–	0	0	0	0	0	0	0	0	1	1	1	1	1	1	1	1	0	0	0	0	0	0	0	0	0	0	0		
	Cyan	–	0	0	0	0	0	0	0	0	1	1	1	1	1	1	1	1	1	1	1	1	1	1	1	1	1	1	1		
	Red	–	1	1	1	1	1	1	1	1	0	0	0	0	0	0	0	0	0	0	0	0	0	0	0	0	0	0	0		
	Magenta	–	1	1	1	1	1	1	1	1	0	0	0	0	0	0	0	0	1	1	1	1	1	1	1	1	1	1	1		
	Yellow	–	1	1	1	1	1	1	1	1	1	1	1	1	1	1	1	1	0	0	0	0	0	0	0	0	0	0	0		
	White	–	1	1	1	1	1	1	1	1	1	1	1	1	1	1	1	1	1	1	1	1	1	1	1	1	1	1	1		
Gray Scale of Red	Black	GS0	0	0	0	0	0	0	0	0	0	0	0	0	0	0	0	0	0	0	0	0	0	0	0	0	0	0			
	↑	GS1	1	0	0	0	0	0	0	0	0	0	0	0	0	0	0	0	0	0	0	0	0	0	0	0	0	0			
	Darker	GS2	0	1	0	0	0	0	0	0	0	0	0	0	0	0	0	0	0	0	0	0	0	0	0	0	0	0			
	↑	↓	↓								↓								↓												
	↓	↓	↓								↓								↓												
	Brighter	GS253	1	0	1	1	1	1	1	1	0	0	0	0	0	0	0	0	0	0	0	0	0	0	0	0	0	0			
	↓	GS254	0	1	1	1	1	1	1	1	0	0	0	0	0	0	0	0	0	0	0	0	0	0	0	0	0	0			
	Red	GS255	1	1	1	1	1	1	1	1	0	0	0	0	0	0	0	0	0	0	0	0	0	0	0	0	0	0			
Gray Scale of Green	Black	GS0	0	0	0	0	0	0	0	0	0	0	0	0	0	0	0	0	0	0	0	0	0	0	0	0	0	0			
	↑	GS1	0	0	0	0	0	0	0	1	0	0	0	0	0	0	0	0	0	0	0	0	0	0	0	0	0	0			
	Darker	GS2	0	0	0	0	0	0	0	0	1	0	0	0	0	0	0	0	0	0	0	0	0	0	0	0	0	0			
	↑	↓	↓								↓								↓												
	↓	↓	↓								↓								↓												
	Brighter	GS253	0	0	0	0	0	0	0	0	1	0	1	1	1	1	1	1	0	0	0	0	0	0	0	0	0	0			
	↓	GS254	0	0	0	0	0	0	0	0	0	1	1	1	1	1	1	1	0	0	0	0	0	0	0	0	0	0			
	Green	GS255	0	0	0	0	0	0	0	0	1	1	1	1	1	1	1	1	0	0	0	0	0	0	0	0	0	0			
Gray Scale of Blue	Black	GS0	0	0	0	0	0	0	0	0	0	0	0	0	0	0	0	0	0	0	0	0	0	0	0	0	0	0			
	↑	GS1	0	0	0	0	0	0	0	0	0	0	0	0	0	0	0	0	1	0	0	0	0	0	0	0	0	0			
	Darker	GS2	0	0	0	0	0	0	0	0	0	0	0	0	0	0	0	0	0	1	0	0	0	0	0	0	0	0			
	↑	↓	↓								↓								↓												
	↓	↓	↓								↓								↓												
	Brighter	GS253	0	0	0	0	0	0	0	0	0	0	0	0	0	0	0	0	1	0	1	1	1	1	1	1	1	1			
	↓	GS254	0	0	0	0	0	0	0	0	0	0	0	0	0	0	0	0	0	1	1	1	1	1	1	1	1	1			
	Blue	GS255	0	0	0	0	0	0	0	0	0	0	0	0	0	0	0	0	1	1	1	1	1	1	1	1	1	1			

0: Low level voltage, 1: High level voltage.

Each basic color can be displayed in 256 gray scales from 8 bit data signals.
 According to the combination of 24 bit data signals, the 16.7M color display can be achieved on the screen.

9. EDID Specifications

9 - 1. EDID data structure

This is the EDID(Extended Display Identification Data) data formats to support displays as defined in the VESA Plug & Display.

Byte (decimal)	Byte (hex)	Field Name and Comments	Value (hex)	Value (binary)
0	00	Header	00	00000000
1	01	Header	FF	11111111
2	02	Header	FF	11111111
3	03	Header	FF	11111111
4	04	Header	FF	11111111
5	05	Header	FF	11111111
6	06	Header	FF	11111111
7	07	Header	00	00000000
8	08	EISA manufacture code =NCP	38	00111000
9	09	EISA manufacture code (Compressed ASCII)	70	01110000
10	0A	Product code (LM116LF1L01 : TBD)	00	00000000
11	0B	Product code (hex,LSB first)	00	00000000
12	0C	LCD module Serial No (fixed "0")	00	00000000
13	0D	LCD module Serial No (fixed "0")	00	00000000
14	0E	LCD module Serial No (fixed "0")	00	00000000
15	0F	LCD module Serial No (fixed "0")	00	00000000
16	10	Week of manufacture	00	00000000
17	11	Year of manufacture - 1990 (ex 2000 - 1990 = 10) 2015-1990 = 25	19	00011001
18	12	EDID structure version # = 1	01	00000001
19	13	EDID revision # = 4	04	00000100
20	14	Video i/p definition = Digital 8bit DP support	A5	10100101
21	15	Max H image size(cm) = 26cm	1A	00011101
22	16	Max V image size(cm) = 15cm	0F	00010001
23	17	Display gamma (2.2×100) - 100 = 120	78	01111000
24	18	Feature support(stanby,suspend,RGB color/Prefer Time)	06	00000110
25	19	Red/Green Low bit(RxRy/GxGy)	DE	11011110
26	1A	Blue/White Low bit(BxBY/WxWy)	50	01010000
27	1B	Red X(Rx) (written value 0.64)	A3	10100011
28	1C	Red Y(Ry) (written value 0.33)	54	01010100
29	1D	Green X(Gx) (written value 0.3)	4C	01001100
30	1E	Green Y(Gy) (written value 0.6)	99	10011001
31	1F	Blue X(Bx) (written value 0.15)	26	00100110
32	20	Blue Y(By) (written value 0.06)	0F	00001111
33	21	White X(Wx) (written value 0.313)	50	01010000
34	22	White Y(Wy) (written value 0.329)	54	01010100
35	23	Established timings 1	00	00000000
36	24	Established timings 2	00	00000000
37	25	Established timings 3(Manufacture's reserved timing)	00	00000000
38	26	Standard timing ID1	01	00000001
39	27	Standard timing ID1	01	00000001
40	28	Standard timing ID2	01	00000001

41	29	Standard timing ID2	01	00000001
42	2A	Standard timing ID3	01	00000001
43	2B	Standard timing ID3	01	00000001
44	2C	Standard timing ID4	01	00000001
45	2D	Standard timing ID4	01	00000001
46	2E	Standard timing ID5	01	00000001
47	2F	Standard timing ID5	01	00000001
48	30	Standard timing ID6	01	00000001
49	31	Standard timing ID6	01	00000001
50	32	Standard timing ID7	01	00000001
51	33	Standard timing ID7	01	00000001
52	34	Standard timing ID8	01	00000001
53	35	Standard timing ID8	01	00000001
54	36	Detailed timing descriptor#1 fck/10000 (=138.5MHz/10000=13850=361Ah)	1A	00011010
55	37	#1 fck	36	00110110
56	38	#1 Horizontal active 1920=780h 80h	80	10000000
57	39	#1 Horizontal blanking 160=0A0h A0h	A0	10100000
58	3A	#1 Horizontal active/Horizontal blanking 70h	70	01110000
59	3B	#1 Vertical active 1080=438h 38h	38	00111000
60	3C	#1 Vertical blanking 31=01Fh 1Fh	1F	00011111
61	3D	#1 Vertical active/Vertical blanking 40h	40	01000000
62	3E	#1 Horizontal sync , offset(Thfp) 48=030h 30h	30	00110000
63	3F	#1 Horizontal sync , width 32=020h 20h	20	00100000
64	40	#1 Vertical sync,offset / Vertical sync,width (offset=3h/width=5h)	35	00110101
65	41	#1 Horizontal sync offset/width/Vertical sync offset/width	00	00000000
66	42	#1 Horizontal image size 256.32 mm=100h 00h	00	00000000
67	43	#1 Vertical image size 144mm=090h 90h	90	10010000
68	44	#1 Horizontal image size / Vertical image size 10h	10	00010000
69	45	Horizontal boader	00	00000000
70	46	Vertical boader	00	00000000
71	47	Flags(Non-interlaced=0/non 3D=00/Degital separate=11/Horizontal polarity/Vertical polarity=00)	18	00011000
72	48	Detailed timing descriptor#1 fck/10000 (=110.92224MHz/10000=11092.224=2B54h)	54	01010100
73	49	#2fck	2B	00101011
74	4A	#2 Horizontal active 1920=780h 80h	80	10000000
75	4B	#2 Horizontal blanking 160=0A0h A0h	A0	10100000
76	4C	#2 Horizontal active/Horizontal blanking 70h	70	01110000
77	4D	#2 Vertical active 1080=438h 38h	38	00111000
78	4E	#2 Vertical blanking 31=01Fh 1Fh	1F	00011111
79	4F	#2 Vertical active/Vertical blanking 40h	40	01000000
80	50	#2 Horizontal sync , offset(Thfp) 48=030h 30h	30	00110000
81	51	#2 Horizontal sync , width 32=020h 20h	20	00100000
82	52	#2 Vertical sync, offset / Vertical sync, width (offset=3h/width=5h)	35	00110101
83	53	#2 Horizontal sync offset/width/Vertical sync offset/width	00	00000000
84	54	#2 Horizontal image size 256.32mm=100h 00h	00	00000000

85	55	#2 Vertical image size 144mm=090h 90h	90	10010000
86	56	#2 Horizontal image size / Vertical image size 10h	10	00010000
87	57	Horizontal boader	00	00000000
88	58	Vertical boader	00	00000000
89	59	Flags(Non-interlaced=0/non 3D=00/Degital separate=11/Horizontal polarity/Vertical polarity=00)	18	00011000
90	5A	Detailed timing descriptor #3	00	00000000
91	5B	Flag	00	00000000
92	5C	Reserved	00	00000000
93	5D	Dummy Descriptor	10	00010000
94	5E	Flag	00	00000000
95	5F	1st Dummy	00	00000000
96	60	2nd Dummy	00	00000000
97	61	3rd Dummy	00	00000000
98	62	4th Dummy	00	00000000
99	63	5th Dummy	00	00000000
100	64	6th Dummy	00	00000000
101	65	7th Dummy	00	00000000
102	66	8th Dummy	00	00000000
103	67	9th Dummy	00	00000000
104	68	10th Dummy	00	00000000
105	69	11th Dummy	00	00000000
106	6A	New line character #3 indicates end	00	00000000
107	6B	Padding with "blank" character	00	00000000
108	6C	Detailed timing descriptor #4	00	00000000
109	6D	Flag	00	00000000
110	6E	Reserved	00	00000000
111	6F	Display Product name	FC	11111100
112	70	Flag	00	00000000
113	71	Supplier P/N#1 (L)	4C	01001100
114	72	Supplier P/N#2 (M)	4D	01000011
115	73	Supplier P/N#3 (1)	31	00110001
116	74	Supplier P/N#4 (1)	31	00110011
117	75	Supplier P/N#5 (6)	36	00110011
118	76	Supplier P/N#6 (L)	4C	01001100
119	77	Supplier P/N#7 (F)	46	01000110
120	78	Supplier P/N#8 (4)	31	00110100
121	79	Supplier P/N#9 (L)	4C	01001100
122	7A	Supplier P/N#10 (0)	30	00110000
123	7B	Supplier P/N#11 (1)	31	00110001
124	7C	Supplier P/N#12 ("space")	0A	00001010
125	7D	(If<13 char, then terminate with ASCII code 0Ah,set remaining char 20h)	20	00100000
126	7E	Extension flag	00	00000000
127	7F	Checksum	93	00100000

10. Optical characteristics

Ta=25°C

Parameter	Symbol	Condition	Min.	Typ.	Max.	Unit	Remark	
Viewing angle range	Horizontal	θ21	CR > 10	(80)	(89)	-	Deg.	[Note10-1,10-3,10-4,10-6]
		θ22						
	Vertical	θ11						
θ12								
Contrast ratio	CR		(700)	(1000)	-	-	[Note10-2,10-4,10-6]	
Response time	$\tau_r + \tau_d$		-	25	-	ms	[Note10-1,10-5,10-6]	
Chromaticity of white	x	$\theta = 0 \text{ deg.}$	TBD	(0.313)	TBD	-	-	[Note 10-2,10-6] Normal operation (PWMDuty=100%)
	y		TBD	(0.329)	TBD	-	-	
Chromaticity of red	x		-	(0.640)	-	-	-	
	y		-	(0.330)	-	-	-	
Chromaticity of green	x		-	(0.300)	-	-	-	
	y		-	(0.600)	-	-	-	
Chromaticity of blue	x		-	(0.150)	-	-	-	
	y		-	(0.060)	-	-	-	
NTSC ratio	%		-	(72)	-	-	-	
Luminance of white	Y_{LI}		-	(220)	-	-	cd/m ²	
White uniformity 13pt	δ_w	$\theta = 0 \text{ deg.}$	-	(1.25)	(1.40)	-	[Note 10-2,10-7]	

※These values are measured with NCPD back light unit.

※The measurement shall be taken 30 minutes after lighting the module at the following rating.

※Condition: PWM Duty = 100%

※The optical characteristics shall be measured in a dark room or equivalent.

[Note 10-1] Measurement of viewing angle range and Response time. [Note 10-2] Measurement of luminance and Chromaticity and Contrast.

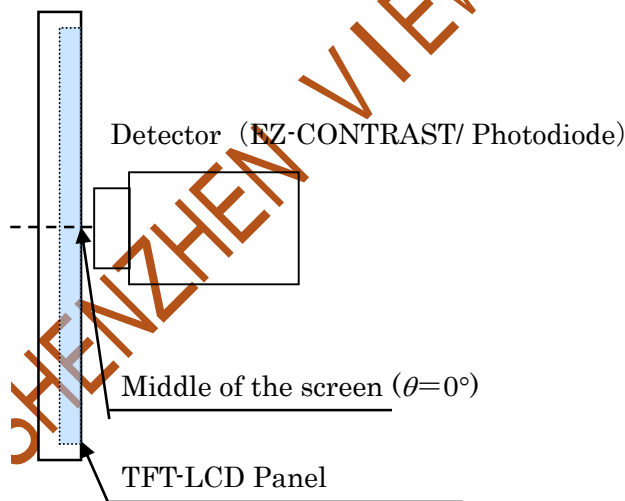


Fig.10-1 Measurement of Viewing angle range and Response time.
 (Viewing angle range: EZ-CONTRAST, Response time: Photodiode)

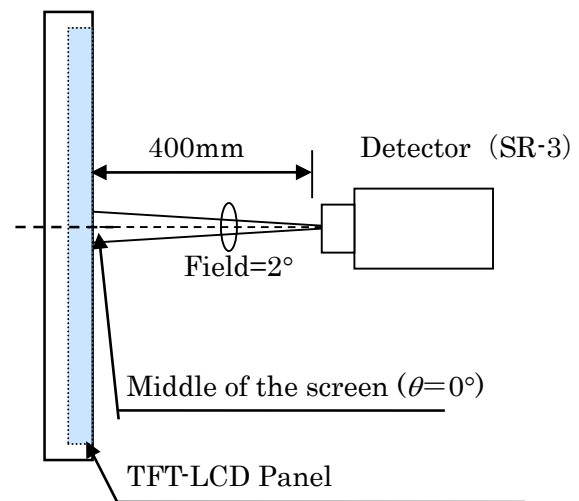


Fig10-2 Measurement of Contrast, Luminance, Chromaticity, White variation, Crosstalk and Color temperature variation.

[Note 10-3]Definitions of viewing angle range:

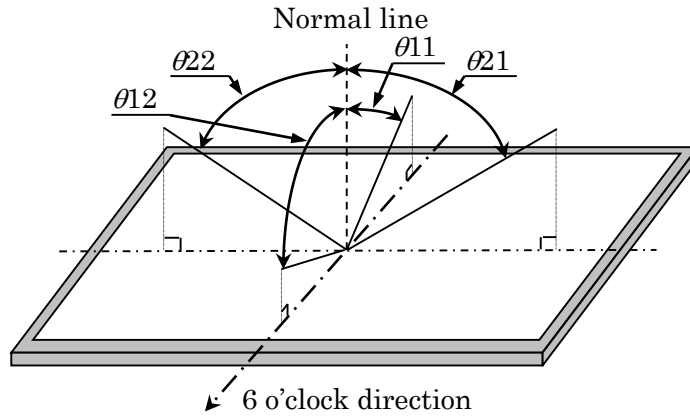


Fig.9-3 Viewing angle

[Note 10-4]Definition of contrast ratio:

The contrast ratio is defined as the following.

$$\text{Contrast Ratio} = \frac{\text{Luminance(Brightness) with all pixels white}}{\text{Luminance(Brightness) with all pixels Black}}$$

[Note 10-5]Definition of response time:

The response time is defined as the following figure and shall be measured by switching the input signal for "black" and "white" .

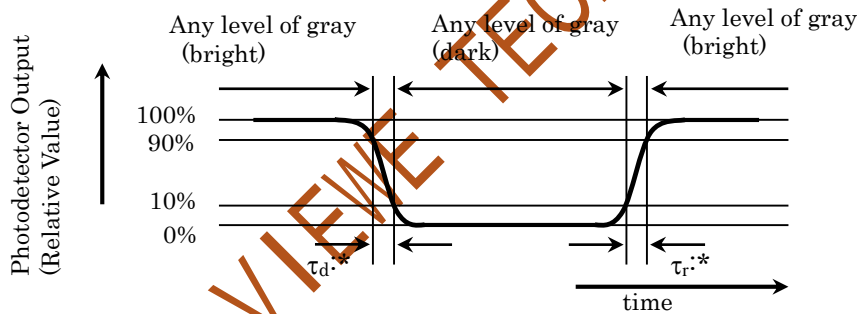


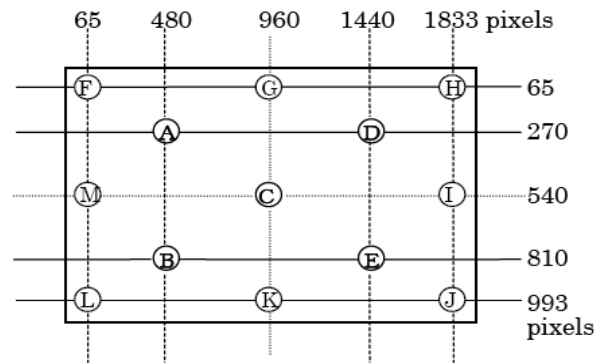
Fig.10-4 Response time

[Note 10-6] This shall be measured at center of the screen.

[Note 10-7]Definition of white uniformity:

White uniformity is defined as the following with 5 measurements(A~E).

$$\delta_w = \frac{\text{Maximum Luminance of 5 Points(Brightness)}}{\text{Minimum Luminance of 5 Points(Brightness)}}$$



11. Display Quality

The display quality of the color TFT-LCD open-cell shall be in compliance with the Incoming Inspection Standard.

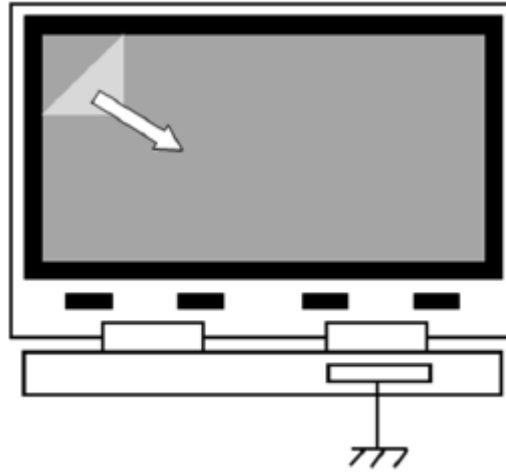
12. Handling Precautions

- a) Be sure to turn off the power supply when inserting or disconnecting the cable.
Please insert for too much stress not to join a connector in the case of insertion of a connector.
- b) Be sure to design the cabinet so that the open-cell can be installed without any extra stress such as warp or twist.
- c) Since the front polarizer is easily damaged, pay attention not to scratch it.
- d) Wipe off water drop immediately. Long contact with water may cause discoloration or spots.
- e) When the panel surface is soiled, wipe it with absorbent cotton or other soft cloth.
- f) Since the panel is made of glass, it may break or crack if dropped or bumped on hard surface. Handle with care.
- g) Since CMOS LSI is used in this open-cell, take care of static electricity and injure the human earth when handling. Observe all other precautionary requirements in handling components.
- h) This open-cell has its circuitry PCBs on the side and should be handled carefully in order not to be stressed.
- i) Laminate film is attached to the open-cell surface to prevent it from being scratched. Peel the laminate film off slowly just before the use with strict attention to electrostatic charges. Ionized air shall be blown over during the action. Blow off the 'dust' on the polarizer by using an ionized nitrogen gun, etc. Working under the following environments is desirable.
 - All workers wear conductive shoes, conductive clothes, conductive fingerstalls and grounding belts without fail.
 - Use Ionized blower for electrostatic removal, and peel of the laminate film with a constant speed. (Peeling of it at over 2 seconds)
- j) The polarizer surface on the panel is treated with Anti Glare . In case of attaching protective board over the LCD, be careful about the optical interface fringe etc. which degrades display quality.
- k) Do not expose the LCD open-cell to a direct sunlight, for a long period of time to protect the open-cell from the ultra violet ray.
- l) When handling LCD open-cells and assembling them into cabinets, please be noted that long-term storage in the environment of oxidization or deoxidization gas and the use of such materials as reagent, solvent, adhesive, resin, etc. which generate these gasses, may cause corrosion and discoloration of the LCD open-cells.
- m) Liquid crystal contained in the panel may leak if the LCD is broken. Rinse it as soon as possible if it gets inside your eye or mouth by mistake.
- n) Disassembling the open-cell can cause permanent damage and should be strictly avoided.
Please don't remove the fixed tape, insulating tape etc that was pasted on the original open-cell. (Except for protection film of the panel.)
- o) Be careful when using it for long time with fixed pattern display as it may cause afterimage.
(Please use a screen saver etc., in order to avoid an afterimage.)
- p) If a minute particle enters in the open-cell and adheres to an optical material, it may cause display non-uniformity issue, etc. Therefore, fine-pitch filters have to be installed to cooling and inhalation hole if you intend to install a fan.
- q) Epoxy resin (amine series curing agent), silicone adhesive material (dealcoholization series and oxime series), tray forming agent (azo compound) etc, in the cabinet or the packing materials may induce abnormal display with polarizer film deterioration regardless of contact or noncontact to polarizer film.
Be sure to confirm the component of them.
- r) Do not use polychloroprene. If you use it, there is some possibility of generating Cl₂ gas that influences the reliability of the connection between LCD panel and driver IC.
- s) Do not put a laminate film on LCD open-cell, after peeling of the original one. If you put on it, it may cause discoloration or spots because of the occurrence of air gaps between the polarizer and the film.
- t) Ground open-cell bezel to stabilize against EMI and external noise
- u) When you peel off the protection film
 - Be sure to peel off slowly(recommended more than 5sec) and constant speed
 - Peeling direction shows the following Figure
 - Be sure to ground person with adequate methods such as the anti-static wrist band.
 - Be sure to ground all terminals of the PWB connector while peeling of the protection film.
 - Ionized air should be blown over during peeling action.

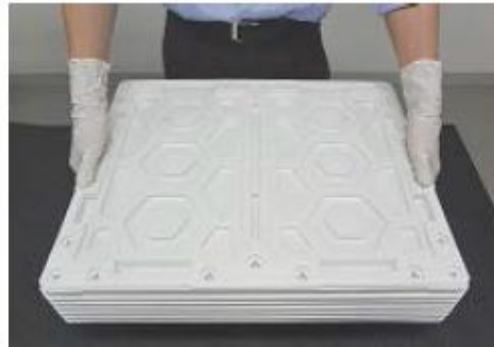
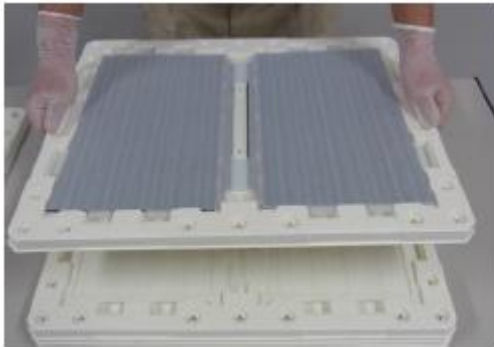
-The protection film must not touch driver-ICs, PWB and all components on PWB.

-If adhesive may remain on the polarizer after the protection film peeling off , please remove with isopropyl-alcohol.

Front view _____



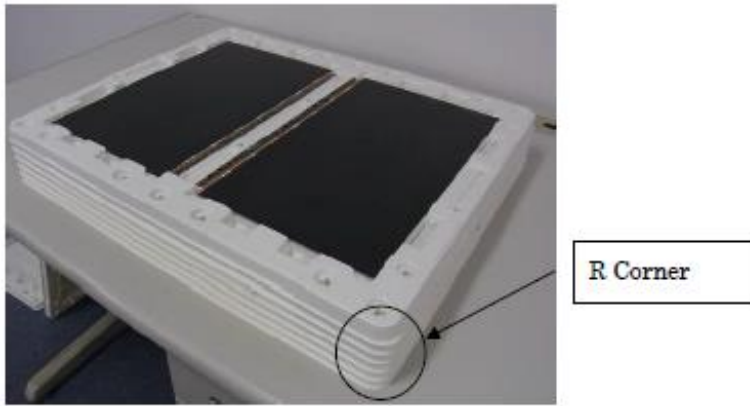
- v) Caution for when bending FPC
 - (1) Not to apply force at connection part (both panel side and PCB side)
 - (2) Not to fold tightly
 - (3) Please make sure to push a part where is no components on ,when sticking PCB on the back side of BL, Also, please make sure not to break other components by nail
- w) Precautions for Handling Tray
 - (1) Hold center of short side of tray with both hands when handling one or more trays.



Caution: Do not handle with only one hand.



- (2) Always place tray on flat surface.
- (3) When stacking trays, please align same shape comer of each tray.
One comer is R comer.(Ref.Pic.1)
- (4) Maximum stacking quantity is the number of trays inside one box.
Ex:In case of 20pcs LCD module per box(2pcs LCD module per tray),maximum stacking is 10 trays. (Ref.Pic.3)



Pic. 1

13. Packaging Condition(TBD)

Piling number of cartons	8
Package quantity in one carton	40 pcs
Carton size	544x360x281mm
Total mass of one carton filled with full modules	(11.66kg)
Packing form	Attached file

14. Label (TBD)

- 1) Module Bar code label:
TBD
- 2) Packing bar code label
TBD

15. RoHS Directive

This LCD open-cell is compliant with RoHS Directive.

16. Reliability Test Items

No.	Test Item	Conditions
1	High temperature storage test	Ta=60°C 240h
2	Low temperature storage test	Ta=-20°C 240h
3	High temperature & high humidity operation test	Ta=40°C 90%RH 240h (No condensation)
4	High temperature operation test	Ta=50°C 240h
5	Low temperature operation test	Ta=50°C 240h
6	Vibration test(non-operating)	TBD
7	Shock test (non-operating)	TBD
8	ESD	±200V,200pF(0 Ω)1time/each terminal

[Result Evaluation Criteria] Under the display quality test condition with normal operation state.

Do not change these condition as such changes may affect practical display function.

[Normal operation state] temperature: + 15~ + 35°C, Humidity: 45~75%, Atmospheric pressure: 86~106kPa

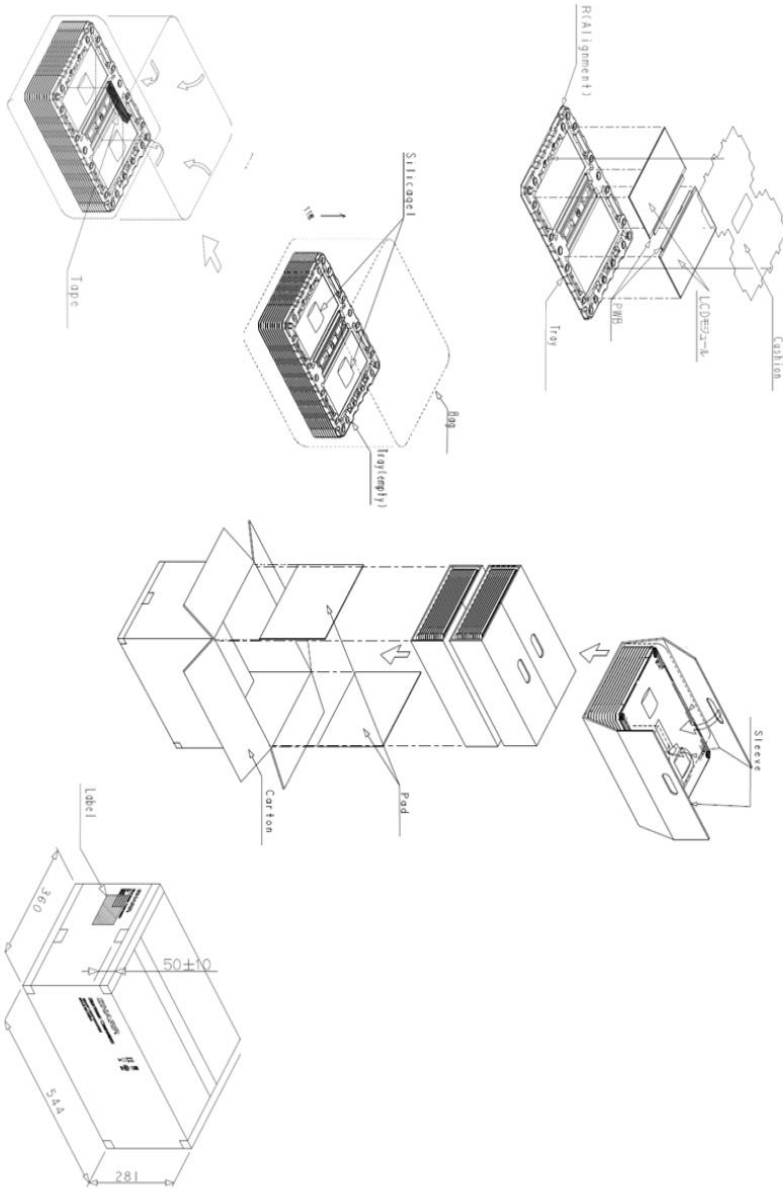


Fig. 1 Packing Condition



VIEWE CO., LTD

(Pic.3)